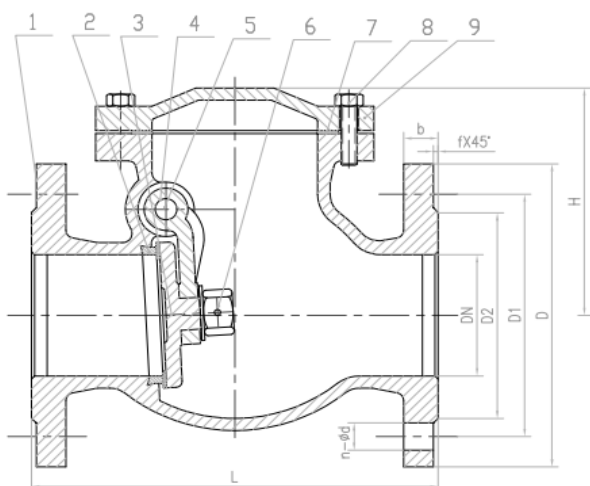


Swing Check Valve PN16

FIG. SCV 300



CONFORM TO	BS5153 PN16
FACE TO FACE	BS5163
FLANGE DRILLED	BS4504
TESTING	BS6755

TECHNICAL DATA

WORKING PRESSURE	16bar	
TESTING PRESSURE	SHELL TEST	24bar
	SEALING TEST	17.6bar

MATERIALS OF MAIN PARTS

DN	A	B	C	D	E	F	n-d	h
50	203	113	165	20	125	102	4-19	2
65	216	133	185	20	145	122	4-19	2
80	241	142	200	20	160	138	4-19	2
100	292	163	220	24	180	158	8-19	2
125	330	197	250	26	210	188	8-19	2.5
150	356	212	285	26	240	212	8-23	2.5
200	495	257	340	30	295	268	12-23	2.5
250	622	299	405	32	355	320	12-28	2.5
300	698	331	450	32	410	378	12-28	2.5

	PARTS	MATERIALS
1	Bolts	Steel
2	Identification Plate	Aluminium
3	Bonnet	Ductile Iron
4	Body Gasket	Graphite
5	Nuts	Steel
6	Nuts	Steel
7	Side Plug	Brass
8	Gasket	Fiber
9	Hanger Pin	Brass
10	Hanger	Ductile Iron
11	Disc	Ductile Iron
12	Disc Ring	Cast Bronze
13	Washer	Steel
14	Split Pin	Stainless Steel
15	Body	Ductile Iron
16	Stud Bolt	Steel