



## DI-EDL ELECTRIC ACTIVATION DELUGE ALARM VALVE



### PRODUCT DESCRIPTION

The electric actuation deluge alarm valves are automatic control valves that are triggered with the help of a fire detector or a sensor and conduct the water to the sprinkler line at the high fire risky applications.

### PROPERTIES

The valve works fully automatic through the solenoid valve mounted on it.

The main valve provides manually opening-closing up function through the emergency release valve mounted on it.

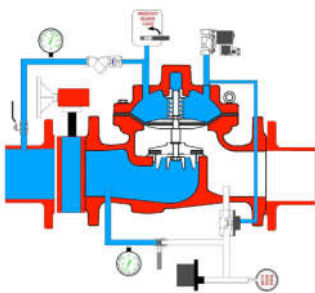
The equipments like mechanical alarm gong, pressure switch, flow switch, etc. can be mounted easily through the cutting trims mounted on the main valve.

The maintenance and the usage of the main valve are quite easy.

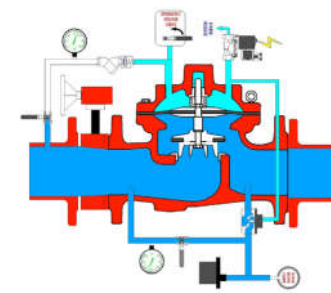
There are the alarm test valve and pressure gauges that show the valve's entrance pressure and the actuator pressure, on the main valve.

The solenoid valve's voltage value is 24 Volt DC. The valves that have different voltage values can be used optionally.

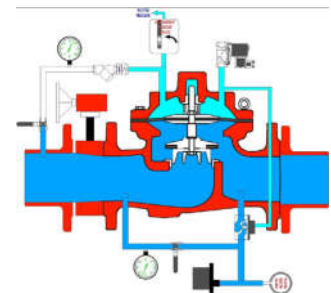
There is a mechanical relief valve at the entrance of the main valve.



STAND-BY MODE  
THE MAIN VALVE'S READY STATE



ELECTRIC ACTUATION MODE  
THE VALVE OPENS ITSELF ENTIRELY AND  
CONDUCTS THE WATER TO THE SPRINK LINE  
THROUGH ELECTRIC ACTUATION



MANUALLY OPENING UP MODE  
THE MAIN VALVE CONDUCTS THE WATER TO THE  
SPRINK LINE WITH OPENING UP THE EMERGENCY  
RELEASE VALVE WITHOUT USING ELECTRIC  
ACTUATION

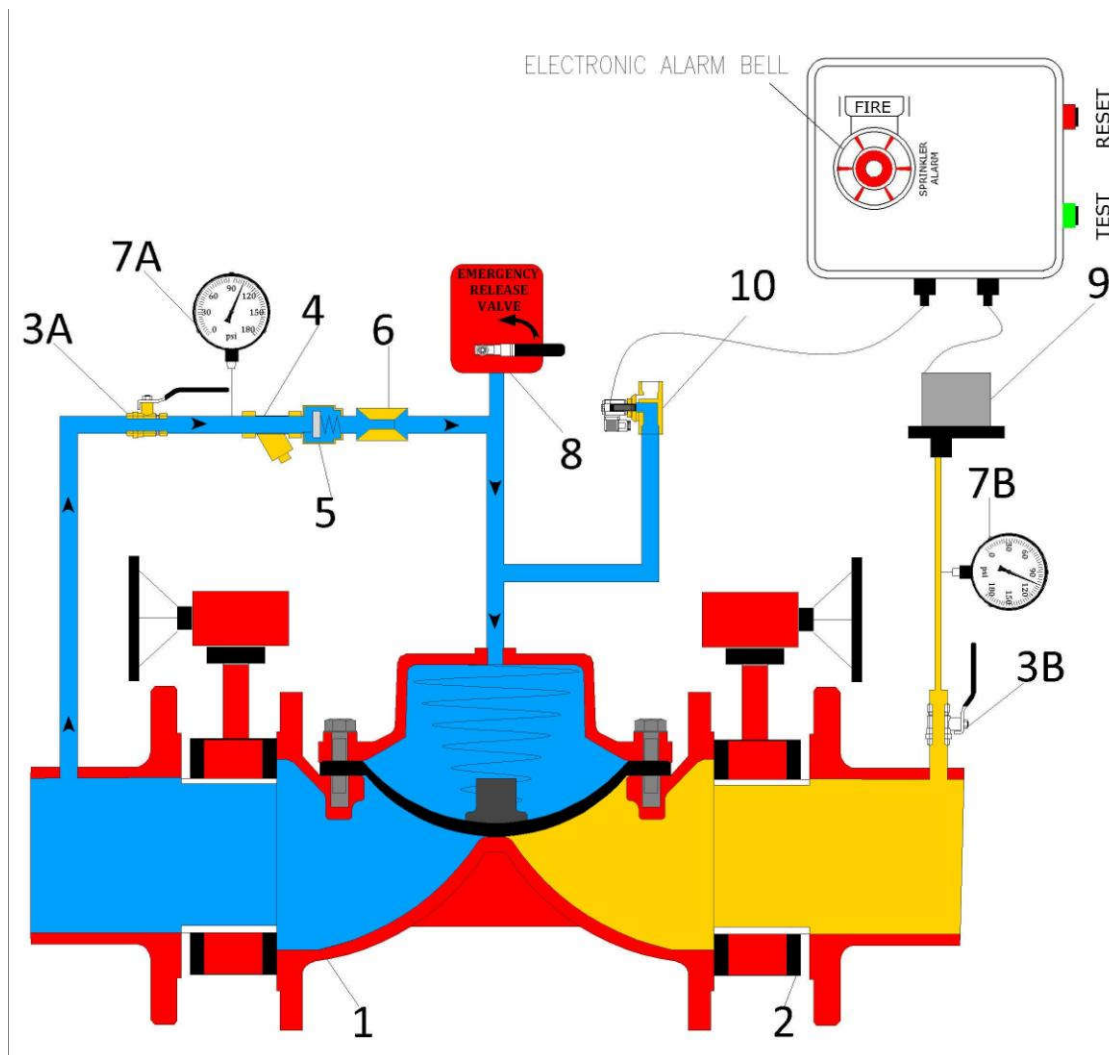
**ELECTRIC ACTIVATION DELUGE DRY ALARM VALVE**



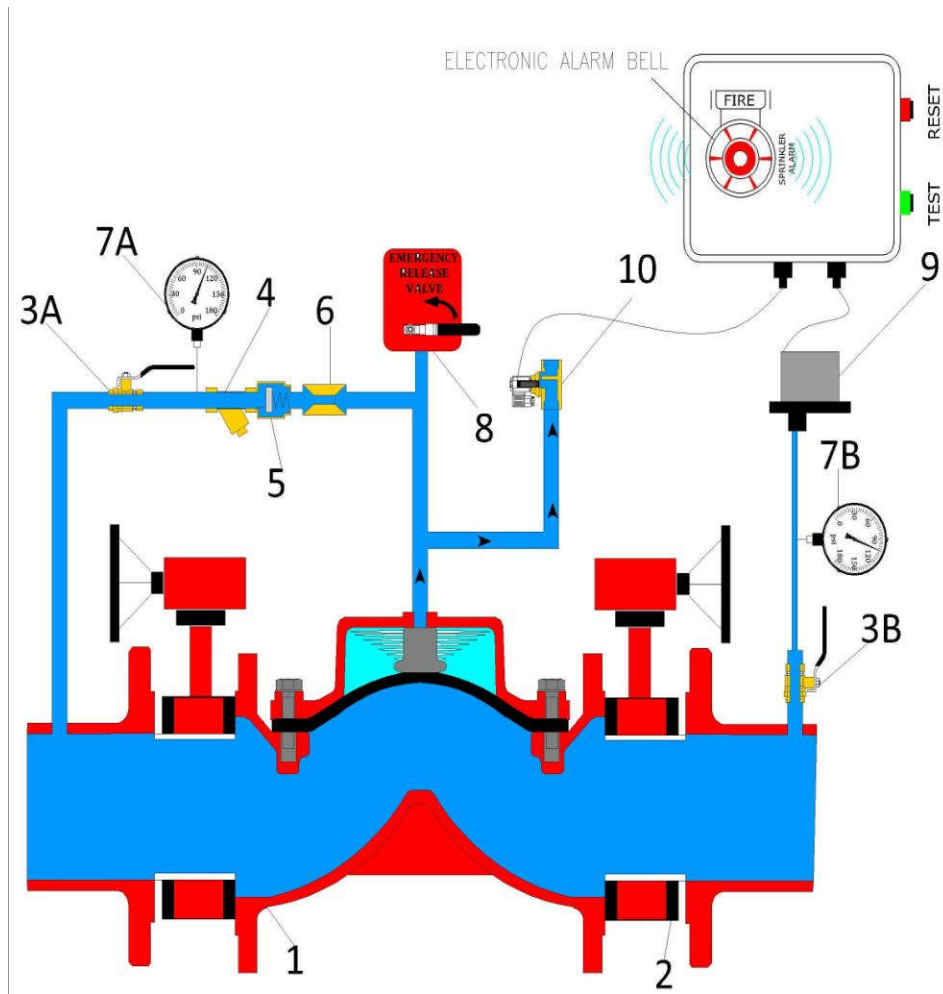
No	Description	Material
1	Valve Body	GGG 40 Ductile Iron
2	Valve Cover	GGG 40 Ductile Iron
3	Diaphragm	Standart : Seal rubber Optional: Seal EPDM
4	Seal Disc	GGG 40 Ductile Iron
5	Stem	Standart : SS 304 Stainless steel Optional : SS 316 Stainless steel
6	Spring	Standart : SS 304 Stainless steel Optional : SS 316 Stainless steel
7	Radial Port	Standart : GGG 40 Stainless steel Optional : Bronze
8	Stem Bearing	Standart : Ms 58 Brass Optional : Bronze
9	Seat	Standart : Ms 58 Brass

		Optional : Bronze
10	Disc	Standart : GGG 40 Ductile Iron Optional: Stainless steel X20Cr13
11	Stem Nut	Stainless steel A2 / Stainless A2
12	Gasget Sealing	Standart : EPDM Optional : Nitril, Viton
13	O-Ring	NBR
14	Bolt + Washer	Standart : 8.8 Galvanize Çelik Optional : A2 Stainless steel
15	Lifting Hook	Standart : 8.8 Galvanised steel Optional : A2 Stainless steel

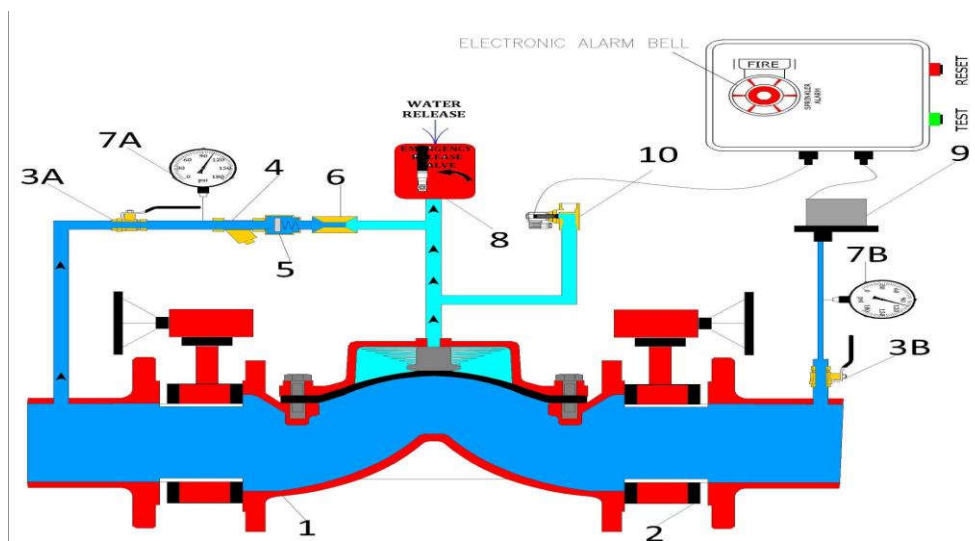
### STAND BY MODE

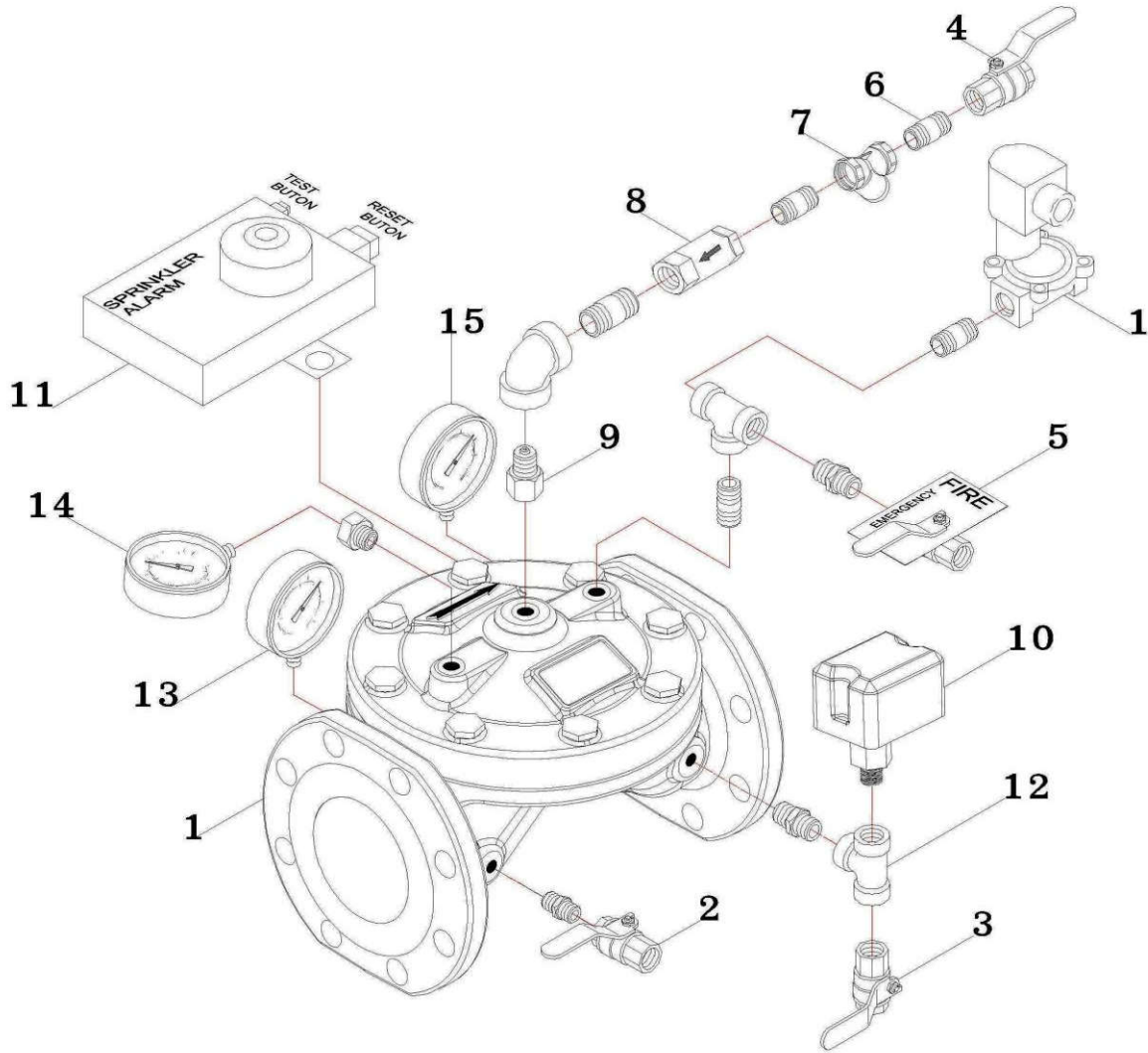


## AUTOMATIC OPEN UP MODE



## MANUAL OPEN UP MODE





NO	PART NAME	NO	PART NAME
1	DELUGE VALVE	8	CHECK VALVE
2	BALL VALVE (WATER RELIEF)	9	ORİFİS
3	BALL VALVE (AIR RELIEF)	10	LOW PRESSURE SENSOR
4	BESLEME HAT VANASI	11	CONTROL PANEL
5	EMERGENCY RELIEF VALVE	12	TEE
6	NİPEL	13	INLET PRESSURE GAUGE
7	STRAINER	14	ACTUATOR PRESSURE GAUGE
		15	AIR PRESSURE GAUGE

## INSTALLATION

