

D171AC

Compression DZR Ball Valve



D171AC

D171ACEXS

Compression DZR Ball Valve with Extension Stem

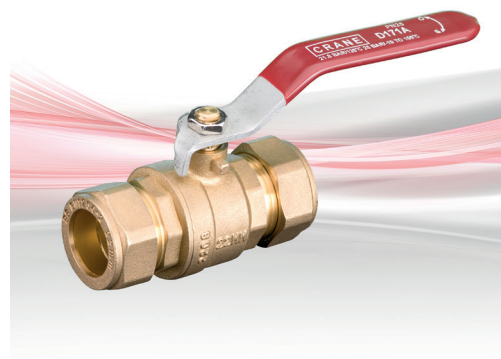
PN16

Features & Benefits

- Designed to be light, compact and easy to install and operate
- WRAS Approved to 99°C

Materials

| PART | MATERIAL | QUANTITY |
|----------------------|---------------------------------|----------|
| Hex-Nut | Steel Plated | 1 |
| Lever | Steel Dacromet Plated | 1 |
| Handle Sleeve | Maroon PVC | 1 |
| Packing Nut | Brass CW617N | 1 |
| Packing Gland | PTFE WRAS approved | 1 |
| Body | DZR Brass CW602N | 1 |
| Seats | PTFE WRAS approved | 2 |
| Ball | DZR Brass CW602N Chrome Plated | 1 |
| Bonnet | DZR Brass CW602N | 1 |
| Compression Olive | Brass BS EN 12449 CW505L/CW507L | 2 |
| Compression Nut | DZR Brass BS EN 12165 CW617N | 2 |
| Stem | DZR Brass CW602N | 1 |
| Extension Stem Outer | Aluminium | 1 |
| Extension Stem Inner | Steel Plated | 1 |

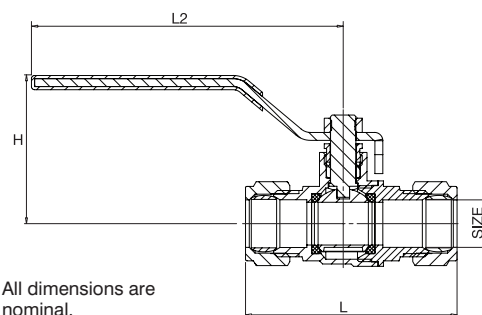


D171ACEXS



GENERAL VALVES

Dimensional Drawing



Dimensions & Weights

| SIZE (mm) | WEIGHT (kg) AC | WEIGHT (kg) ACEXS | L (mm) AC | L2 (mm) AC | H (mm) AC | H (mm) ACEXS |
|-----------|----------------|-------------------|-----------|------------|-----------|--------------|
| 15 | 0.212 | 0.275 | 66.5 | 98.5 | 47 | 103 |
| 22 | 0.368 | 0.429 | 80 | 98.5 | 51 | 107 |
| 28 | 0.608 | 0.682 | 92.5 | 125 | 62 | 116 |
| 35 | 0.928 | 1.125 | 104.5 | 140 | 77.5 | 129 |
| 42 | 1.345 | 1.667 | 122 | 140 | 83 | 135 |
| 54 | 2.108 | 2.683 | 141 | 165 | 97.5 | 150 |

Pressure/Temperature Ratings

Threaded

| | | | |
|------------------|-----------|----|-----|
| TEMPERATURE (°C) | -10 to 30 | 65 | 120 |
| PRESSURE (BAR) | 16 | 10 | 5 |

Intermediate pressure ratings shall be determined by interpolation.

PRESSURE RATING: PN16

TEMPERATURE OPERATING RANGE: -10 to 120°C

UK END CONNECTION: Compression ends to suit BS EN 1057: Half hard R250 copper tube

OPERATOR: Lever

SPECIFICATION: Quarter Turn

Valid as of 290719

Every effort has been made to ensure that the information contained in this publication is accurate at the time of publishing. Crane Ltd assumes no responsibility or liability for typographical errors or omissions or for any misinterpretation of the information within the publication and reserves the right to change without notice.