

D171A

Threaded DZR Ball Valve



D171A

D171AEXS

Threaded DZR Ball Valve with Extension Stem

PN25

Features & Benefits

- Designed to be light, compact and easy to install and operate
- Features improved leak resistance and reduced risk of damage from over tightening
- WRAS Approved to 85°C

Materials

PART	MATERIAL	QUANTITY
Hex-Nut	Steel Plated	1
Lever	Steel Dacromet Plated	1
Sleeve	Maroon PVC	1
Packing Nut	Brass BS EN 12164 CW617N	1
Packing Gland	PTFE WRAS approved	1
Body	DZR Brass BS EN 12165 CW602N	1
Seats	PTFE WRAS approved	2
Ball	DZR Brass Chrome Plated BS EN 12165 CW602N	1
O-Ring	Rubber EPDM WRAS approved	1
Seat Retainer	DZR Brass BS EN 12165 CW602N	1
Stem	DZR Brass BS EN 12164 CW602N	1
Extension Stem Outer	Aluminium	1
Extension Stem Inner	Steel Plated	1

Dimensions & Weights

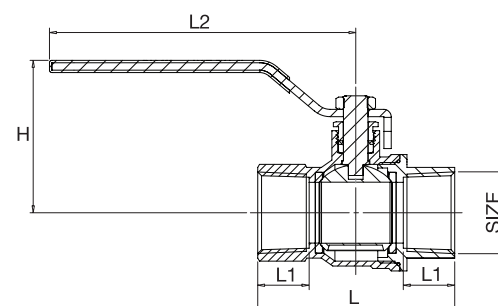
SIZE (inch)	WEIGHT (kg) A	WEIGHT (kg) AEXS	L (mm)	L1 (mm)	L2 (mm) A	H (mm) A	H (mm) AEXS
1/4	0.152	-	45.3	12	89	41	-
3/8	0.136	-	45.3	12	89	41	-
1/2	0.205	0.270	58.5	15.5	98.5	48	103
3/4	0.302	0.366	67	17	98.5	51	107
1	0.511	0.589	80.5	21	125	62	116
1 1/4	0.811	0.930	94	23	140	77.5	129
1 1/2	1.101	1.219	102	23	140	83.5	135
2	1.808	1.953	124	26.5	165	97.5	150



D171AEXS



Dimensional Drawing



All dimensions are nominal.

Pressure/Temperature Ratings

Threaded

TEMPERATURE (°C)	-10 to 100	120
PRESSURE (BAR)	25	21.8

Intermediate pressure ratings shall be determined by interpolation.

PRESSURE RATING: PN25

TEMPERATURE OPERATING RANGE: -10 to 120°C

UK END CONNECTION: Taper threaded to BS EN 10226-2 (ISO 7-1) formerly BS 21

US END CONNECTION: ANSI B1.20.1:1983 (please add suffix AT to denote American Thread)

OPERATOR: Lever

SPECIFICATION: Quarter Turn

Valid as of 290719

Every effort has been made to ensure that the information contained in this publication is accurate at the time of publishing. Crane Ltd assumes no responsibility or liability for typographical errors or omissions or for any misinterpretation of the information within the publication and reserves the right to change without notice.