

Alarm Check Valve, Vertical Trim Flange End, 300PSI

FIG: ACV - 200

Specifications

- Valve must be installed in vertical position with the trim as shown. Any deviation may affect the proper operation of the valve.
- Flange designed to EN1092-2 PN10/16, ANSI B16.1 Class 125 or BS10 Table D/E (Other types available on request).

Working Pressure

- 4°C - 70°C.

Working Temperature

- Cold water, 300PSI.
- 200PSI or 250PSI available on request.

Corrosion Protection

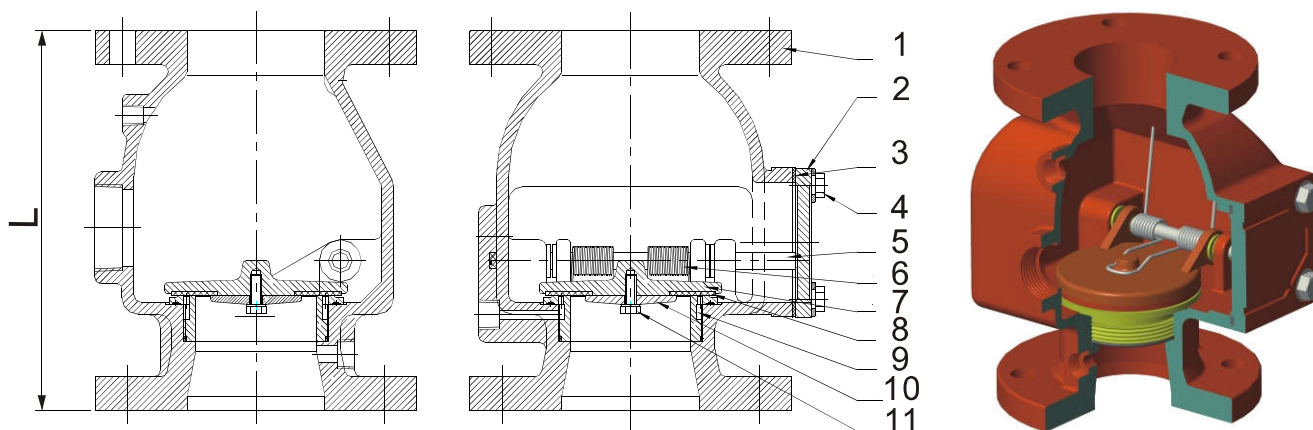
- Internally and externally fusion bonded epoxy powder coated (FBE).

Material Specifications

| No. | Part Name | Material | ASTM Spec. |
|-----|-----------|-----------------|---------------|
| 1 | Body | Ductile Iron | A536 65-45-12 |
| 2 | Cover | Ductile Iron | A536 65-45-12 |
| 3 | Gasket | Rubber | EPDM |
| 4 | Bolt | Carbon Steel | A307B |
| 5 | Stem | Stainless Steel | AISI 304 |
| 6 | Spring | Stainless Steel | AISI 304 |
| 7 | Disc | Ductile Iron | A536 65-45-12 |
| 8 | Disc Ring | Rubber | EPDM |
| 9 | Seat | Bronze | B62 C83600 |
| 10 | Retainer | Brass | B16 C36000 |
| 11 | Bolt | Stainless Steel | A2-70 |

Note:
Design and material are subject to change without notice.

Schematic



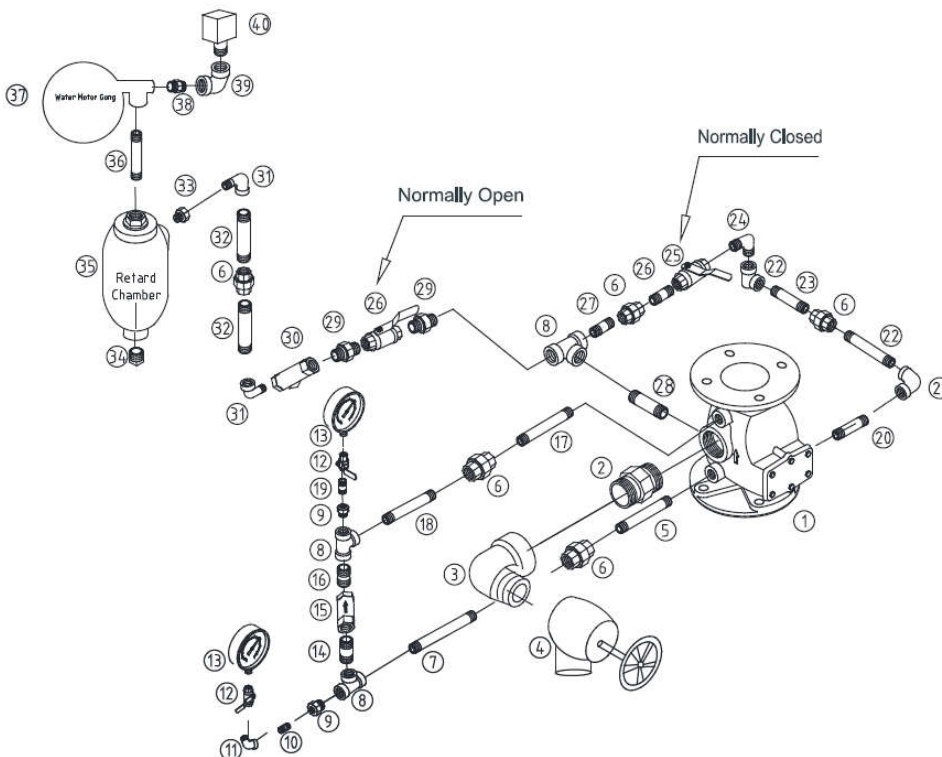
Dimensions (mm)

| Size | 80 | 100 | 150 | 200 |
|------|-----|-----|-----|-----|
| L | 257 | 270 | 340 | 432 |

Alarm Check Valve, Vertical Trim Flange End, 300PSI

FIG: ACV - 200

Schematic of Valve with Accessories



| Part No. | Specification | Material |
|----------|--------------------------------|----------------|
| 1 | Valve | See Above |
| 2 | 2" NPT Pipe Fitting | Malleable Iron |
| 3 | 2" NPT Street Elbows | Malleable Iron |
| 4 | 2" Angle Valve | Brass |
| 5 | 1/2" NPT Screwed Pipe | Carbon Steel |
| 6 | 1/2" Cone Union | Malleable Iron |
| 7 | 1/2" NPT Screwed Pipe | Carbon Steel |
| 8 | 1/2" Straight Tees | Malleable Iron |
| 9 | 1/2" x 1/4" Reducers | Malleable Iron |
| 10 | 1/4" NPT Screwed Pipe | Carbon Steel |
| 11 | 1/4" 90° Elow | Malleable Iron |
| 12 | 1/4" Ball Valve | Brass |
| 13 | Pressure Gage | |
| 14 | 1/2" NPT Screwed Pipe | Carbon Steel |
| 15 | 1/2" Check Valve | Brass |
| 16 | 1/2" NPT Screwed Pipe | Carbon Steel |
| 17 | 1/2" NPT Screwed Pipe | Carbon Steel |
| 18 | 1/2" NPT Screwed Pipe | Carbon Steel |
| 19 | 1/2" NPT Screwed Pipe | Carbon Steel |
| 20 | 1/2" NPT Screwed Pipe | Carbon Steel |
| 21 | 1/2" 90° Elbow | Malleable Iron |
| 22 | 1/2" NPT Screwed Pipe | Carbon Steel |
| 23 | 1/2" NPT Screwed Pipe | Carbon Steel |
| 24 | 1/2" 90° Elbow | Malleable Iron |
| 25 | 1/2" Ball Valve | Brass |
| 26 | 1/2" NPT Screwed Pipe | Carbon Steel |
| 27 | 1/2" NPT Screwed Pipe | Carbon Steel |
| 28 | 1/2" NPT Screwed Pipe | Carbon Steel |
| 29 | 1-2" NPT Pipe Fitting | Malleable Iron |
| 30 | 1-2" Y-Strainer | Brass |
| 31 | 1-2" 90° Street Elbow | Malleable Iron |
| 32 | 1/2" NPT Screwed Pipe | Carbon Steel |
| 33 | Pipe Fitting | AISI 304 |
| 34 | Plug 1 | Brass |
| 35 | Plug 2 | Brass |
| 36 | 3/4" NPT Screwed Pipe | Carbon Steel |
| 37 | Water Motor Gong | |
| 38 | 3/4" NPT Screwed Pipe | Carbon Steel |
| 39 | 3/4" x 1/2" 90° Reducing Elbow | Malleable Iron |
| 40 | Pressure Switch | |