

Brass Ball Valve (Threaded)

FIG. 329



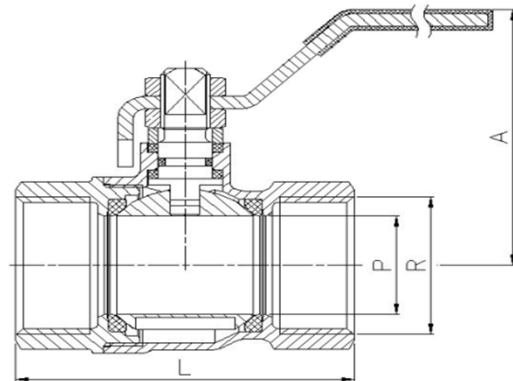
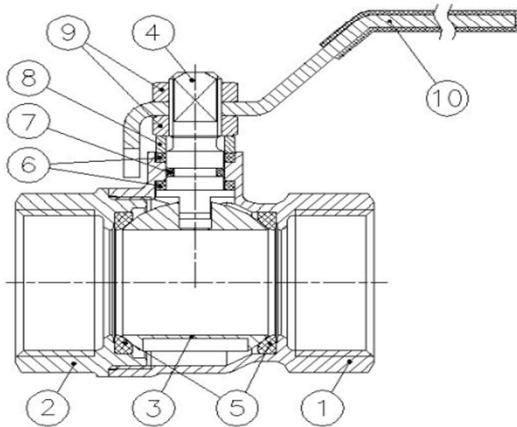
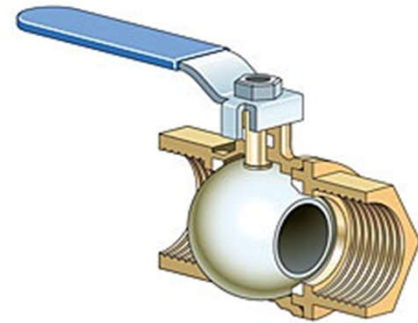
Features

Max Pressure PN16

Max. Temperature 160°C

Thread Standard ISO228

Suitable Media Water, Oil, Gas



DIMENSIONS

R (Inch)	DN	L	A	P
1/2	DN15	52	50.5	14
3/4	DN20	58	55	19
1	DN25	63.5	61.3	22
1 1/4	DN32	70	66	27
1 1/2	DN40	79	76	31
2	DN50	91.5	95.5	40

MATERIALS OF MAIN PARTS

No	PARTS	MATERIALS
1	Body	Brass
2	Cap	Brass
3	Ball	Brass
4	Stem	Brass
5	Ball seats	PTFE
6	Stem packing	PTFE
7	O-Ring	NBR
8	Stem ring	Brass
9	Nut	Brass
10	Handle	Steel